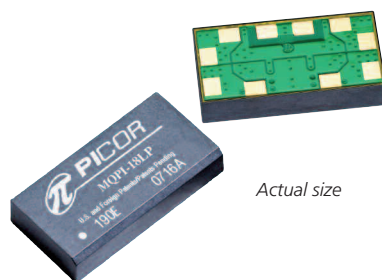


MQPI-18

INPUT EMI FILTER

FEATURES

- EMI filtering per MIL-STD-461E
- 80 Vdc (max input)
- Output current: Up to 7 A
- Small size: 0.98" x 0.49" x 0.18"
(24,8 x 12,4 x 4,5 mm)
- Low profile LGA package
- -55° to +100°C operating temperature
- Efficiency >99%

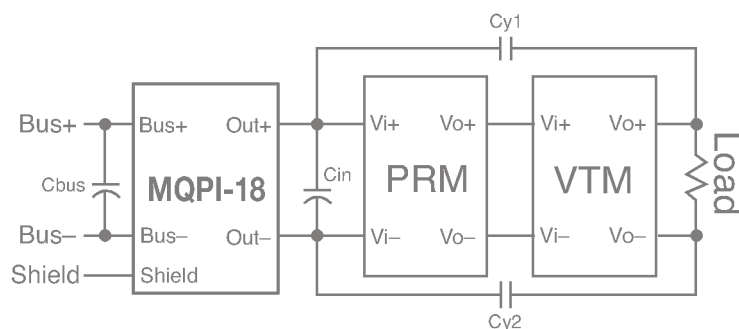
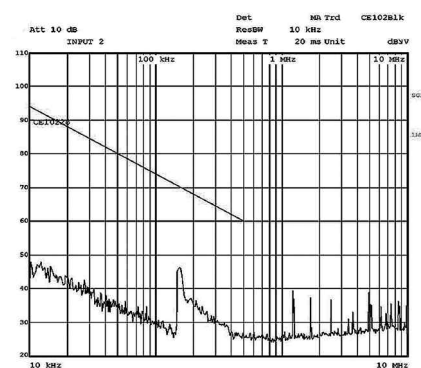


Actual size

PRODUCT INFORMATION

The **MQPI-18** is a surface mount DC front-end filter that provides EMI filtering for Vicor's 28 V DC-DC V•I Chip or VI BRICK modules. The MQPI-18 enables designers to meet conducted emission / conducted susceptibility per MIL-STD-461E. The MQPI-18 accepts an input voltage of 10 – 80 Vdc and delivers output current up to 7 A.

MQPI-18 is housed in a very compact 0.98" x 0.49" x 0.18" (24,8 x 12,4 x 4,5 mm) package requiring only 0.5 in² of board space and weighing only 2.4 grams.



PART NUMBERING

Part Number	Description
MQPI-18LP	LGA, lidded package
MQPI-18LP-01	LGA, open frame package

MQPI-18-CB1 Evaluation Board

The MQPI-18-CB1 evaluation board is a convenient, simple-to-use tool to evaluate the MQPI with the MIL-COTS 28 V DC-DC V•I Chip evaluation board.