

PBI2C Series

120-240 WATTS - AC/DC SINGLE OUTPUT

FEATURES

- Small size, light weight
- Peak surge current up to 150%
- Selectable input 100/200VAC
- High efficiency
- High reliability
- Peak loading 10 seconds



SPECIFICATIONS

INPUT	
Voltage	85–132VAC/170–264VAC link selectable.
Frequency	47-440Hz.
Inrush Current	15A @ 100VAC, 30A @ 200VAC.
Efficiency	Typically 85% at full load
Isolation	Input – Output: 2500VAC Input – Case: 2500VAC Output – Case: 500VAC
Power factor	0.9V @ 230Vac, PB12C-XXE-HP models

OUTPUT	
Voltage	See table.
Current	See table.
Power	PB12C~N: 120W, PB12C~E-EH: 240W.
Voltage Adjustment	±10% of nominal.
Overvoltage Protection	Output shutdown.
Overcurrent Protection	Current limit.
Ripple & Noise	Out V x 1% + 100mV pk-pk (DC – 100MHz).
Line Regulation	±0.8%
Load Regulation	±0.9%
Temperature Coefficient	PB12C~N: 0.03% per °C (0° to 50°C) PB12C~E: 0.01% per °C (0° to 50°C)
Drift	Output V x 0.5% + 15mV after 1 hr per 8 hrs.
Rise Time	500mS max.
Holdup Time	20mS at nominal input and full load.
Peak load	10 sec

ENVIRONMENTAL	
Operating Temperature	0° to 50°C at full load.
Storage Temperature	-20°C to 85°C
Cooling	Convection cooled
Humidity	Up to 85%

STANDARDS	
Safety standards	C-UL, UL1950, CSA950, PB12C-N-E, EN609050, UL60950, IEC 60950, PB12C-E-HP

C-Tick	AS/NZS CISPR11 Group 1 Class A
--------	--------------------------------

EMI standards	VDE1871-A, FCC-A, PB12C-XN-E, EN55022 Class B, FCC part 15-B Class B, PB12C-XX-E-HP
---------------	---

MECHANICALS	
Dimensions	PB12C~N: 167x89x50mm PB12C~E: 208x98x65mm PB12C-E-HP: 246 x 110 x 65mm
Weight	PB12C~N: 490g PB12C~E: 870g PB12C~E-HP: 1400g
Connector	Screw terminals

SELECTION TABLE

MODEL NUMBER	OUTPUT		PEAK CURRENT	RIPPLE NOISE	POWER
PB12C-12N	12V	9A	15A	220mVp-p	120W
PB12C-24N	24V	5A	7.5A	340mVp-p	120W
PB12C-36N	36V	3.4A	5A	460mVp-p	120W
PB12C-12E	12V	18A	25A	220mVp-p	240W
PB12C-24E	24V	10A	15A	340mVp-p	240W
PB12C-36E	36V	6.8A	10A	460mVp-p	240W
PB12C-12E-HP	12V	18A	36A	300mVp-p	240W
PB12C-24E-HP	24V	10A	20A	300mVp-p	240W
PB12C-36E-HP	36V	6.7A	13.4A	300mVp-p	240W
PB12C-48E-HP	48V	6.4A	8.4A	300mVp-p	240W

OPEN FRAME & ENCLOSED

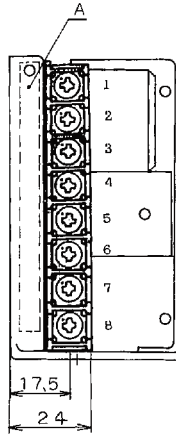
PBI2C Series

120-240 WATTS - AC/DC SINGLE OUTPUT

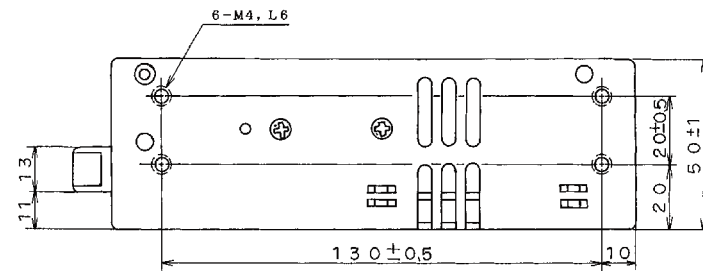
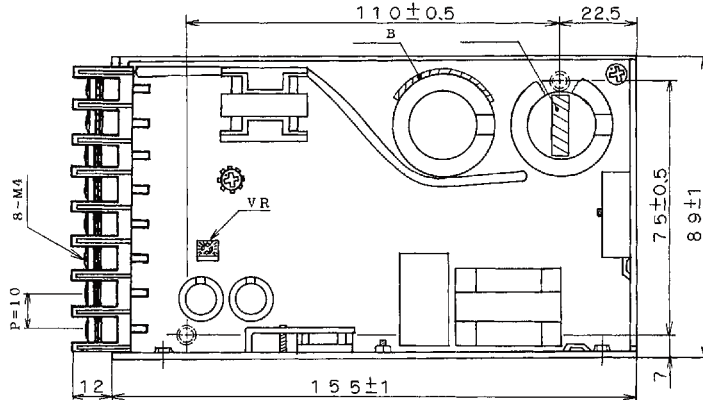
OPEN FRAME & ENCLOSED

TECHNICAL ILLUSTRATIONS

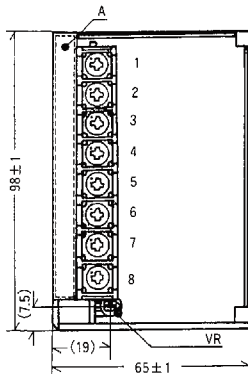
PBI2C-N



TERMINAL CONNECTION	
1	input Selector (Link for 110Vac)
2	input Selector (Link for 110Vac)
3	AC input (L)
4	AC input (N)
5	FG
6	0(V) output
7	+V (V) output
8	NC (or RC/option)



PBI2C-E



TERMINAL CONNECTION	
1	input Selector (Link for 110Vac)
2	input Selector (Link for 110Vac)
3	AC input (L)
4	AC input (N)
5	FG
6	0(V) output
7	+V (V) output
8	NC (or RC/option)

