

PU 300 Series

200-300 WATTS - AC/DC MULTIPLE OUTPUT

OPEN FRAME & ENCLOSED

SELECTION TABLE

MODEL ⁽¹⁾	OUTPUT #1 ⁽⁴⁾				OUTPUT #2 ⁽²⁾⁽⁴⁾				OUTPUT #3				OUTPUT #4 ⁽³⁾				MAX. OUTPUT POWER ⁽⁴⁾
	V1	IMIN.	IMAX.	TOL.	V2	IMIN.	IMAX.	TOL.	V3	IMIN.	IMAX.	TOL.	V4	IMIN.	IMAX.	TOL.	
PU300-40-3B	3.3 V	3.0 A	35.0 A	±3%	5.1 V	2.0 A	22 A	±2%	12 V	0 A	4 A	±4%	12 V	0 A	4 A	±4%	125W/250W
PU300-40B	5.1 V	2.0 A	35.0 A	±2%	12 V	1.0 A	10 A	±2%	12 V	0 A	4 A	±4%	5.1 V	0 A	2.5 A	±4%	150W/300W
PU300-41B	5.1V	2.0 A	35.0 A	±2%	15 V	0.8 A	8 A	±2%	15 V	0 A	4 A	±4%	24 V	0 A	4 A	±4%	150W/300W
PU300-42B	5.1 V	2.0 A	35.0 A	±2%	12 V	1.0 A	10A	±2%	12 V	0 A	4 A	±4%	12 V	0 A	2.5 A	±4%	150W/300W
PU300-45B	5.1 V	2.0 A	35.0 A	±2%	12 V	1.0 A	10 A	±2%	12 V	0 A	4 A	±4%	24 V	0 A	4 A	±4%	150W/300W
PU300-46B	5.1 V	2.0 A	35.0 A	±2%	12 V	1.0 A	10A	±2%	12 V	0 A	4 A	±4%	15 V	0 A	4 A	±4%	150W/300W
PU300-47B	5.1 V	2.0 A	35.0 A	±2%	24 V	0.5 A	5 A	±2%	12 V	0 A	4 A	±4%	12 V	0 A	4 A	±4%	150W/300W
PU300-48B	5.1 V	2.0 A	35.0 A	±2%	24 V	0.5 A	5 A	±2%	5.1 V	0 A	4 A	±4%	15 V	0 A	2.5 A	±4%	150W/300W
PU300-49B	5.1 V	2.0 A	35.0 A	±2%	12 V	1.0 A	10 A	±2%	5.1 V	0 A	4 A	±4%	12 V	0 A	4 A	±4%	150W/300W
PU300-410B	24 V	0.5 A	6.3 A	±2%	12 V	1.0 A	10 A	±2%	5.1 V	0 A	4 A	±4%	24 V	0 A	2.5 A	±4%	150W/300W
PU300-411B	24 V	0.5 A	6.3 A	±2%	12 V	1.0 A	10 A	±2%	5.1 V	0 A	4 A	±4%	12 V	0 A	4 A	±4%	150W/300W
PU300-412B	24 V	0.5 A	6.3 A	±2%	12 V	1.0 A	10 A	±2%	12 V	0 A	4 A	±4%	15 V	0 A	4 A	±4%	150W/300W
PU300-413B	24 V	0.5 A	6.3 A	±2%	24 V	0.5 A	5 A	±2%	5.1 V	0 A	4 A	±4%	12 V	0 A	4 A	±4%	150W/300W

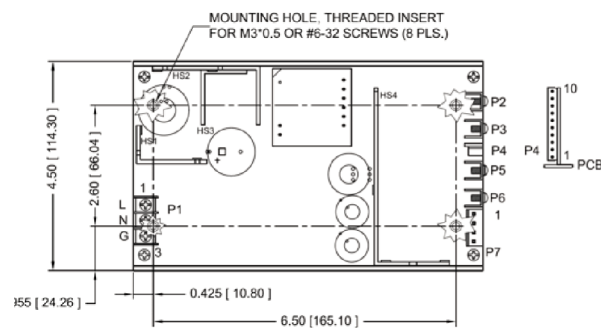
NOTE:

- Suffix "B" in model numbers denotes U-bracket form. Change "B" to "C" for enclosed form with cover-and-fan assembly, e.g. PU300-45C.
- All outputs are floating. They can be connected externally for positive or negative output.
- Output #1 & #2 can be adjusted within ±5% of their nominal voltage.
- Output #3 & #4 can be adjusted within ±15% of their nominal voltage.
- 300 watts for "C" version with cover-and-fan assembly, 150 watts for "B" version without moving air (maximum current of output #1 & #2 derated to 50%), or 300 watts with 35 CFM forced air provided by user.
- PU300-10-3B is rated 200 watts with 35 CFM forced air cooling or 100 watts convection cooled. PU300-40-3B is rated 250 watts with 35 CFM forced air cooling (maximum current of output #1 & #2 derated to 50%) or 125 watts convection cooled.
- Single output models may be operated at no-load. At no-load, output voltage tolerance increases to ±10%.
- Ripple and noise is maximum peak-to-peak voltage value measured at output within 20 MHz bandwidth, at rated line voltage and output load ranges, and with a 10 µF tantalum capacitor in parallel with a 0.1 µF ceramic capacitor across the output.
- Weight 1.10kg for U bracket form, 1.24kg approx for enclosed form.

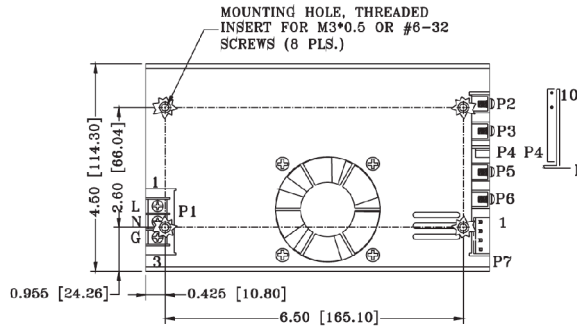
MECHANICAL SPECIFICATIONS

Multiple Output Models

U-bracket Form



Enclosed Form



PIN CHART

MODEL	CONN PIN	P1 (AC)				P2	P3	P5	P6	P7			
		1	2	3	4					1	2	3	4
Quad output		Live	Neutral	Ground	+V1	V1 Return	+V2	V2 Return	+V3	V3 Return	+V4	V4 Return	
	P4	1	2	3	4	5	6	7	8	9	10		
Quad output		Signal Common	+V1 Sense	-V1 Sense	PFD	Inhibit +V	N.C.	+V2 Sense	-V2 Sense	Fan Return	+12V Fan		