

PBB10C Series

PBB10C - AC/DC HIGH SURGE SUPPLY

FEATURES

- 600W - 1000W AC/DC Power Supply,
- High Current Surge
- Ideal for Motors and Pumps
- Enclosed panel mount
- Screw Termination
- Parallel Operation
- N+1 Redundant Operation
- Optional Conformal Coating



SPECIFICATIONS

INPUT

Voltage	85-264Vac or 120-350Vdc
Frequency	47-63Hz.
Inrush current	40A typical.

OUTPUT

Output Voltage	24V, 30V, 36V, 48VDC
Voltage Adjustment	±10% of rated voltage
Output current	See Selection Table.
Peak load	10 sec, 35% duty cycle
Ripple & noise	150mVp-p – 250mVp-p max.
Line regulation	96mV – 192mV max.
Load regulation	150mV – 300mV max.
Startup time	500ms max
Holdup time	20ms typical
Efficiency	85% typical

PROTECTION

Over voltage protection	130% - 170% of rated voltage
Over current protection	Over 101% of peak current
Isolation	Input- Output: 3kVac, 1min Input - Ground: 2kVac, 1min Output - Ground 500Vac, 1min

ENVIRONMENTAL

Operating temperature	-10°C to 70°C
Derating	2.5%/C after 50°C
Fan Cooling	Option FAN: Fan forced cooling Increases continuous output current
Humidity	20 – 90% RH Non-Condensing
Vibration	10Hz-55Hz 19.6m/s ² (2G) 3 mins x, y and z axes
Impact	196.1m/s ² (20G), once along x, y and z axes

STANDARDS

Safety standards	EN60950-1, EN50178, UL60950-1 and C-UL Complies with DEN-AN and IEC60950-1 (AC input only) AS/NZS CISPR11 Group 1 Class A. EN61204-3, EN61000-6-2, EN61000-3-2, EN61000-4-2,-3,-4,-5,-6,-8,-11
EMI standards	FCC-B, CISPR22-B, EN55022-B, VCCI-B
CE marking	Complies with LVD and EMC Directives

MECHANICAL

Connector	Screw terminals
Dimensions	PBB10C - 600W: 214 x 127 x 65mm PBB10C - 750W: 249 x 127 x 70mm PBB10C - 1000W: 299 x 127 x 75mm

PBB10C Series

PBB10C - AC/DC HIGH SURGE SUPPLY

SELECTION TABLE

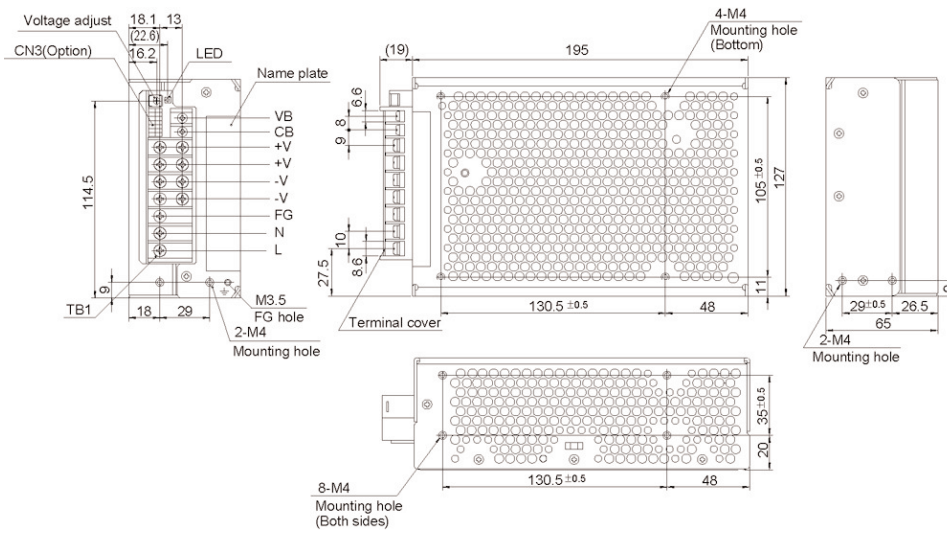
MODEL NUMBER	OUTPUT VOLTAGE	OUTPUT CURRENT	PEAK CURRENT	PEAK POWER
PBB10C-24X	24V	15A	31A	600W
PBB10C-24X-FAN	24V	25A	31A	600W
PBB10C-30X	30V	12A	50A	600W
PBB10C-30X-FAN	30V	20A	50A	600W
PBB10C-36X	36V	10A	20.5A	600W
PBB10C-36X-FAN	36V	16.5A	20.5A	600W
PBB10C-48X	48V	7A	15.5A	600W
PBB10C-48X-FAN	48V	12.5A	15.5A	600W
PBB10C-24XA	24V	19A	63A	750W
PBB10C-24XA-FAN	24V	31.5A	63A	750W
PBB10C-30XA	30V	15A	50A	750W
PBB10C-30XA-FAN	30V	24.5A	50A	750W
PBB10C-36XA	36V	12.5A	42A	750W
PBB10C-36XA-FAN	36V	20.5A	42A	750W
PBB10C-48XA	48V	9A	31.5A	750W
PBB10C-48XA-FAN	48V	15.5A	31.5A	750W
PBB10C-24W	24V	25A	83A	1000W
PBB10C-24W-FAN	24V	42A	83A	1000W
PBB10C-30W	30V	20A	66A	1000W
PBB10C-30W-FAN	30V	33.5A	66A	1000W
PBB10C-36W	36V	16.5A	55A	1000W
PBB10C-36W-FAN	36V	28A	55A	1000W
PBB10C-48W	48V	11.5A	41.5A	1000W
PBB10C-48W-FAN	48V	21A	41.5A	1000W

Note: All output current ratings based on 240VAC input voltage

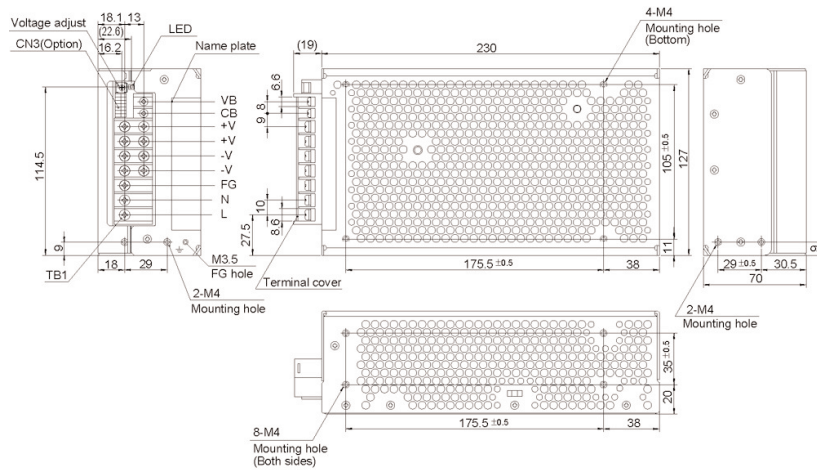
PBB10C Series

PBB10C - AC/DC HIGH SURGE SUPPLY

PBB10C 600W



PBB10C 750W



PBB10C 1000W

